

GUZZLER
OPTIONAL DIP SWITCH SETTINGS

Dip Switch A (8P Dip Switch)

1. Credits

Coin	Play	SW5	SW6	SW7	SW8	Coin Switch No.
1	1			Off	Off	2
1	2			On	Off	
1	3			Off	On	
1	6			On	On	
1	1	Off	Off			1
2	1	On	Off			
1	2	Off	On			
1	3	On	On			

2. Number Of Guzzlers

No. Of Guzzlers	SW1	SW2
3	Off	Off
4	On	Off
5	Off	On
Free Play (64)	On	On

3. Bonus Points & Extra Guzzlers

Bonus Points	Extra Guzzler	SW3	SW4
At 30,000 & every 100,000	One	Off	Off
At 20,000 & every 50,000	One	On	Off
At 30,000 Only	One	Off	On
No Bonus Points	None	On	On

Dip Switch B (4P Dip Switch)

1. Game Style

Style	SW1
Table	Off
Upright	On

2. Name Registration

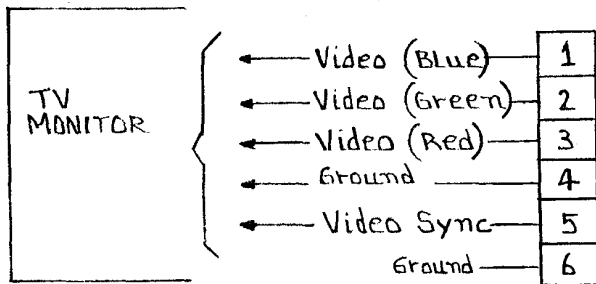
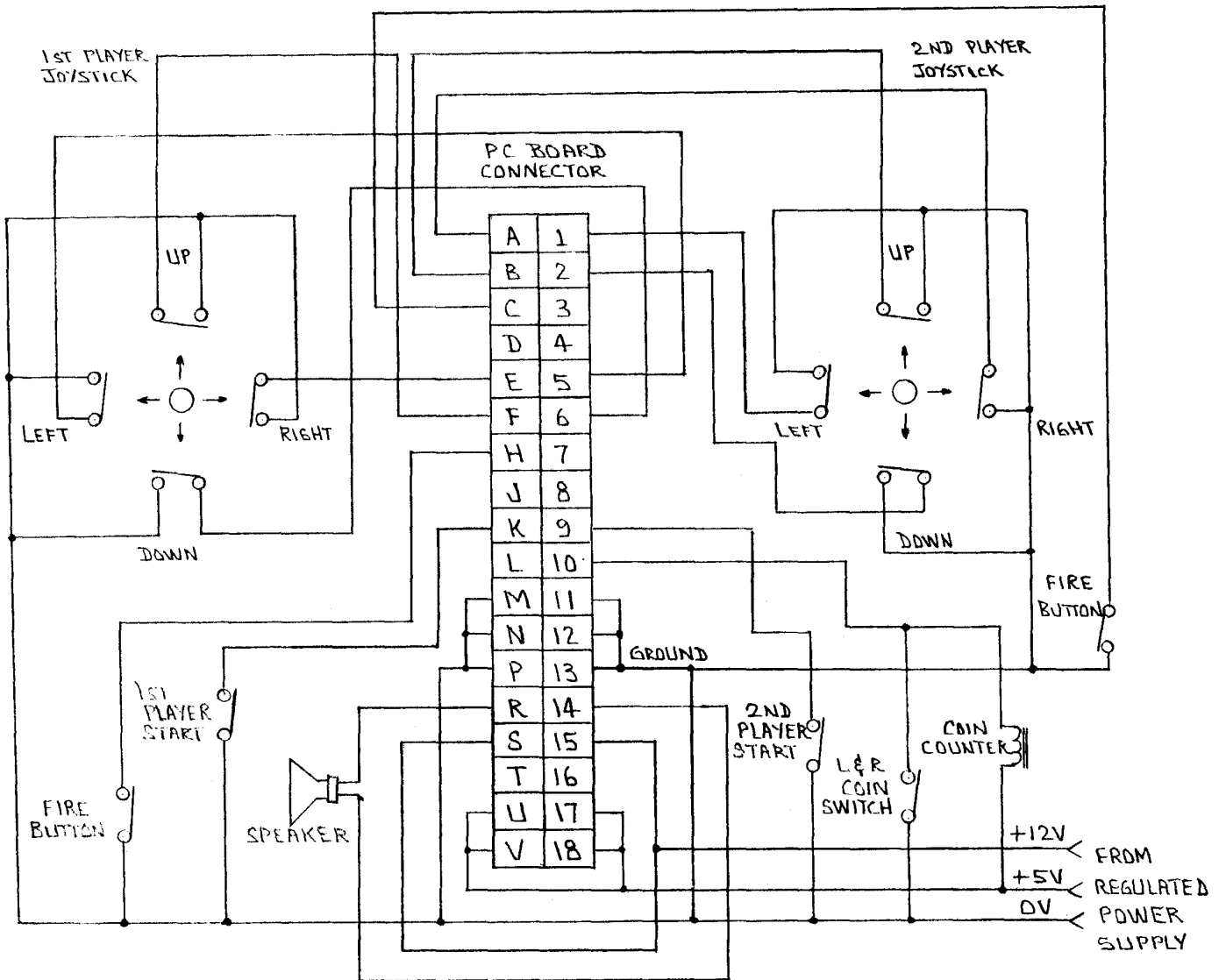
Option	SW2
10 letters can be registered	Off
3 letters & final Round No. can be registered	On

3. Play Difficulty

Option	SW3	SW4
Easy	Off	Off
Average	On	Off
Hard	Off	On
Difficult	On	On

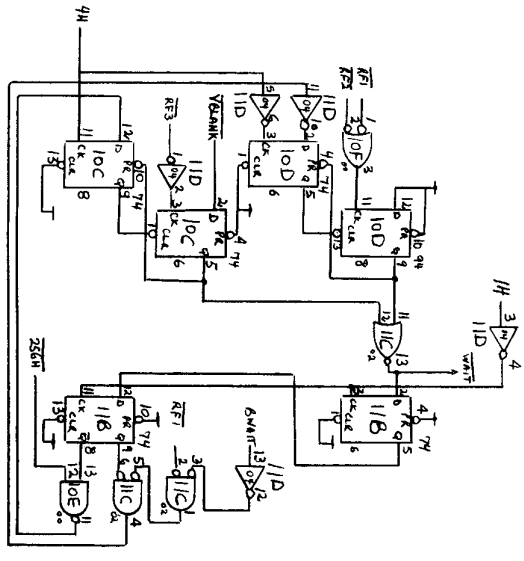
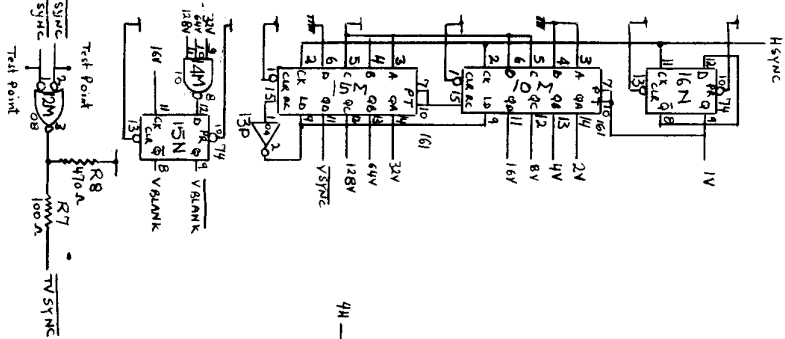
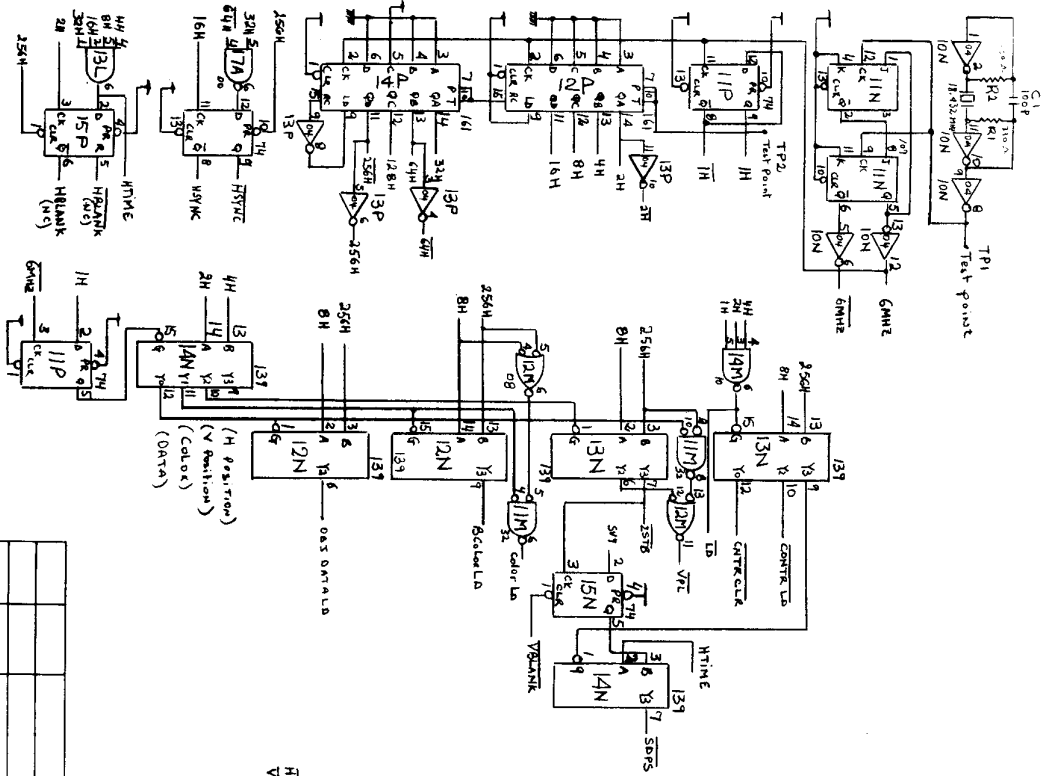
GUZZLER

C.P.U. HARNESS DIAGRAM



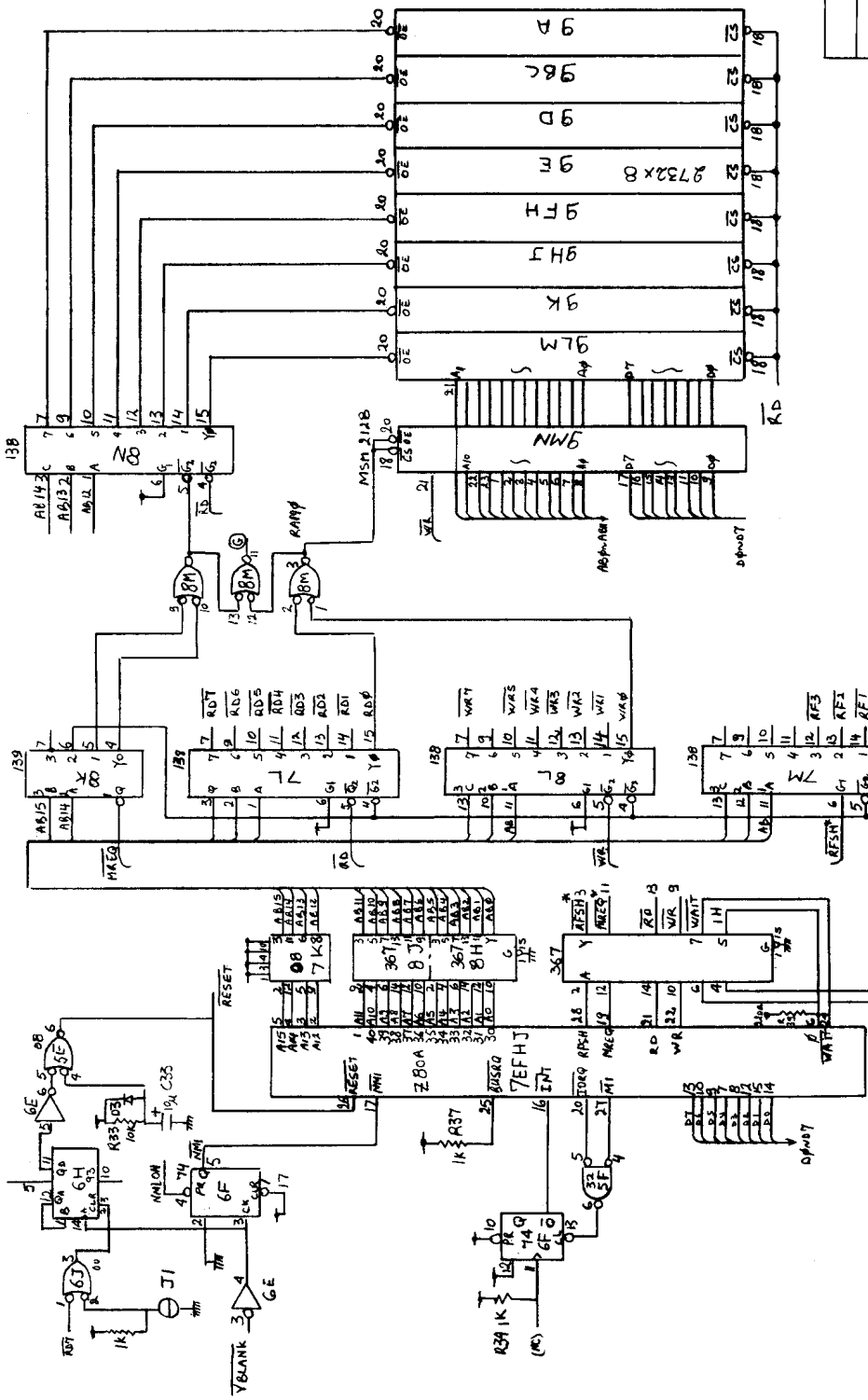
NOTE: NUMBERS ARE ON COMPONENT SIDE

VIDEO BOARD CONNECTOR



REV.	ECN	REVISION	BY	ANGLES	SHT. MET. BENDS	DWN	APP'D.	DATE	SCALE	PART NO.	REV.
LET.	NO.							1/18/82		905-4894	

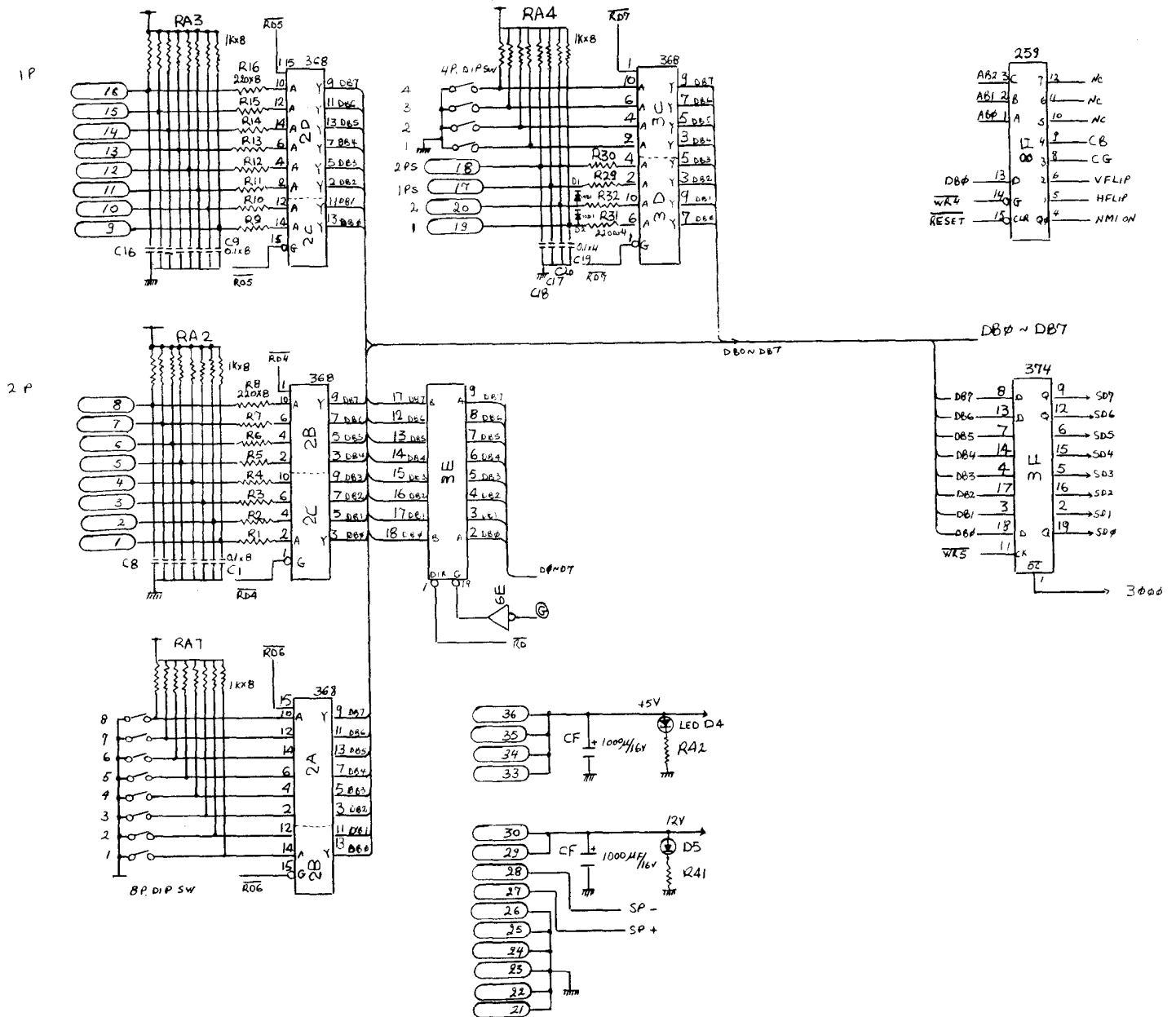
TOLERANCES		NAME	
UNLESS OTHERWISE SPECIFIED		centur	HALLEAH, FLORIDA 33014
FRACTIONS	± 1/32	CLOCK WAIT	
DECIMALS 2 PL	± .015		
DECIMALS 3 PL	± .005		
Holes	+ .003		
	- .001		
	1/2		
	z		



PAGE 4

TOLERANCES		OC. APV'D		PROD. APV'D		ASSEMBLY NO	
Unless Otherwise Specified							
FRACTIONS	± 1/32					HIALEAH, FLORIDA 33014	
DECIMALS 2 PL	± .015					NAME CPU - RAM - ROM GUZZLER B 102-403	
DECIMALS 3 PL	± .005					MATTLS. HEAT TREAT. FINISH	
HOLES	± .003					DATE 1/17/83	
ANGLES	± 1/2°					SCALE PART NO.	
SHT. MET BENDS	± 2'					DWN. APPD. 905-4906	

centur

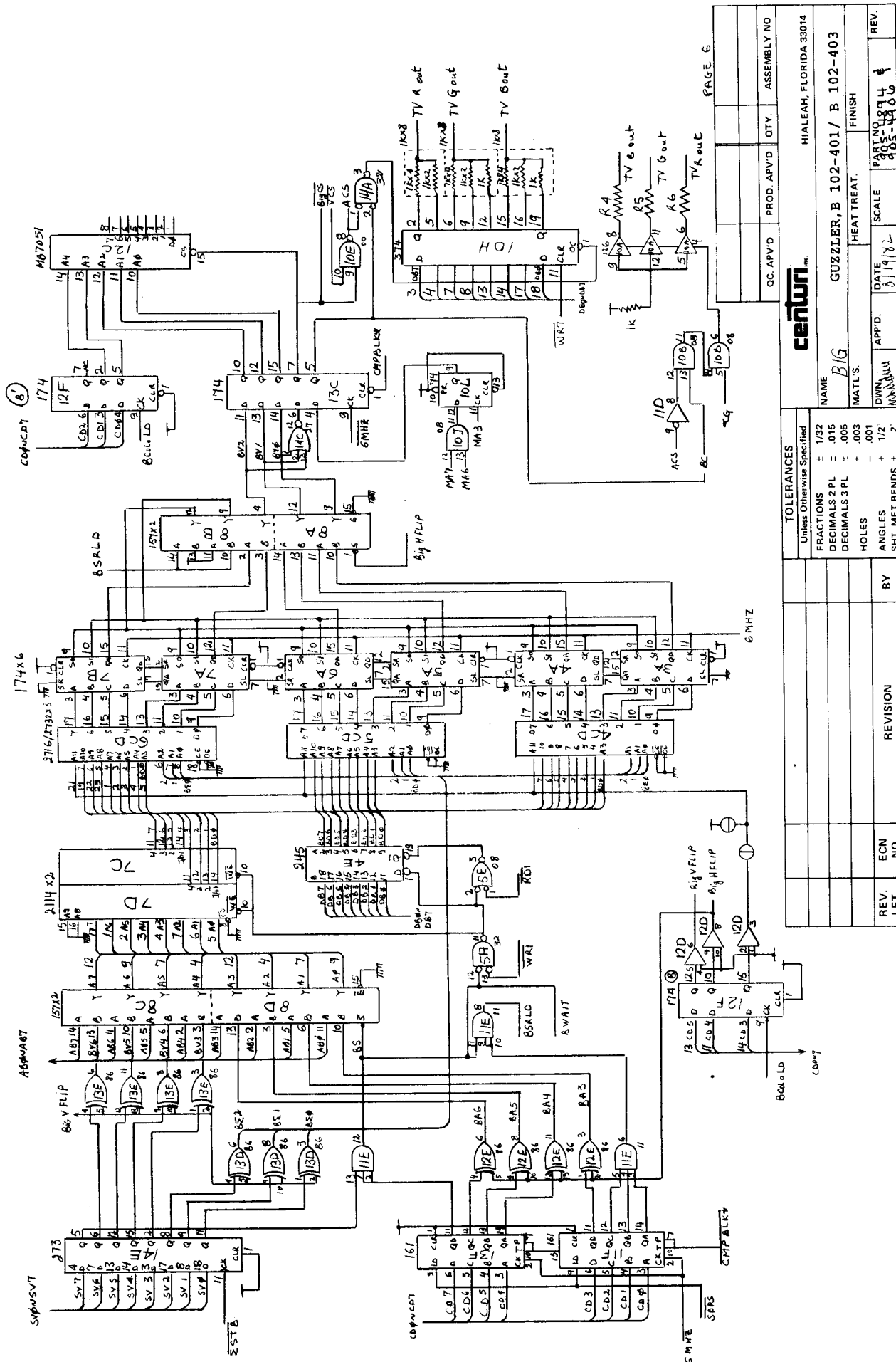


THE MATERIAL CONTAINED HEREIN IS CONFIDENTIAL AND NO PART OF IT CAN BE REPRODUCED WITHOUT THE EXPRESSED PERMISSION OF CENTURI, INC.

QC. APV'D	PROD. APV'D	QTY.	ASSEMBLY NO

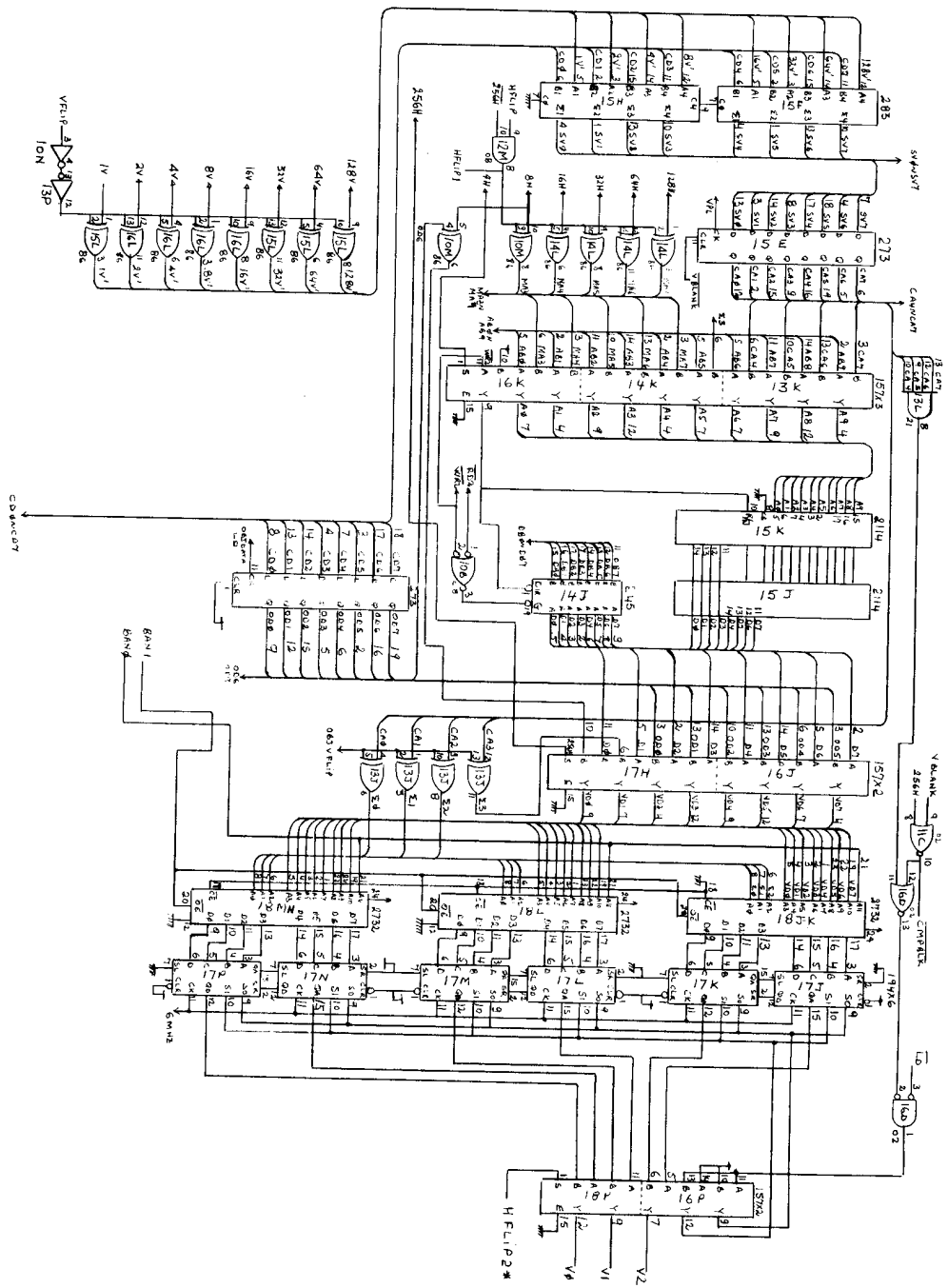
TOLERANCES				centuri			
Unless Otherwise Specified				HIALEAH, FLORIDA 33014			
FRACTIONS	±	1/32	NAME	I/O GUZZLER B 102-403			
DECIMALS 2 PL	±	.015	MAT'L'S.	HEAT TREAT.		FINISH	
DECIMALS 3 PL	±	.005	DWN.	APP'D.	DATE	SCALE	PART NO.
HOLES	+	.003			8/19/82		905-4906
ANGLES	±	1/2°	REV.				
BHT. MET BENDS	±	2°					
REV. LET.	ECN NO.	REVISION	BY				

CHARTING LEGEND, 1986, 001 12714



TOLERANCES Unless Otherwise Specified			
FRACTIONS	± 1/32		
DECIMALS 2 PL	± .015		
DECIMALS 3 PL	± .003		
HOLES	± .003		
ANGLES	± .001		
SHT. MET. BENDS	± 1/2°		

REV. LET.	ECN NO.	REVISION	BY																		
<table border="1"> <tr> <td>OC. APVD</td> <td>PROD. APVD</td> <td>QTY.</td> <td>ASSEMBLY NO.</td> </tr> <tr> <td></td> <td></td> <td></td> <td></td> </tr> </table>				OC. APVD	PROD. APVD	QTY.	ASSEMBLY NO.														
OC. APVD	PROD. APVD	QTY.	ASSEMBLY NO.																		
<table border="1"> <tr> <td>NAME</td> <td>HIALEAH, FLORIDA 33014</td> </tr> <tr> <td>GUEZZI, B 102-401/ B 102-403</td> <td></td> </tr> <tr> <td>MAT'L'S</td> <td>FINISH</td> </tr> <tr> <td>SCALE</td> <td></td> </tr> <tr> <td>DATE</td> <td>8/14/82</td> </tr> <tr> <td>APP'D.</td> <td></td> </tr> <tr> <td>DWN.</td> <td></td> </tr> <tr> <td>PART NO.</td> <td>102-401/4</td> </tr> <tr> <td>REV.</td> <td>2</td> </tr> </table>				NAME	HIALEAH, FLORIDA 33014	GUEZZI, B 102-401/ B 102-403		MAT'L'S	FINISH	SCALE		DATE	8/14/82	APP'D.		DWN.		PART NO.	102-401/4	REV.	2
NAME	HIALEAH, FLORIDA 33014																				
GUEZZI, B 102-401/ B 102-403																					
MAT'L'S	FINISH																				
SCALE																					
DATE	8/14/82																				
APP'D.																					
DWN.																					
PART NO.	102-401/4																				
REV.	2																				

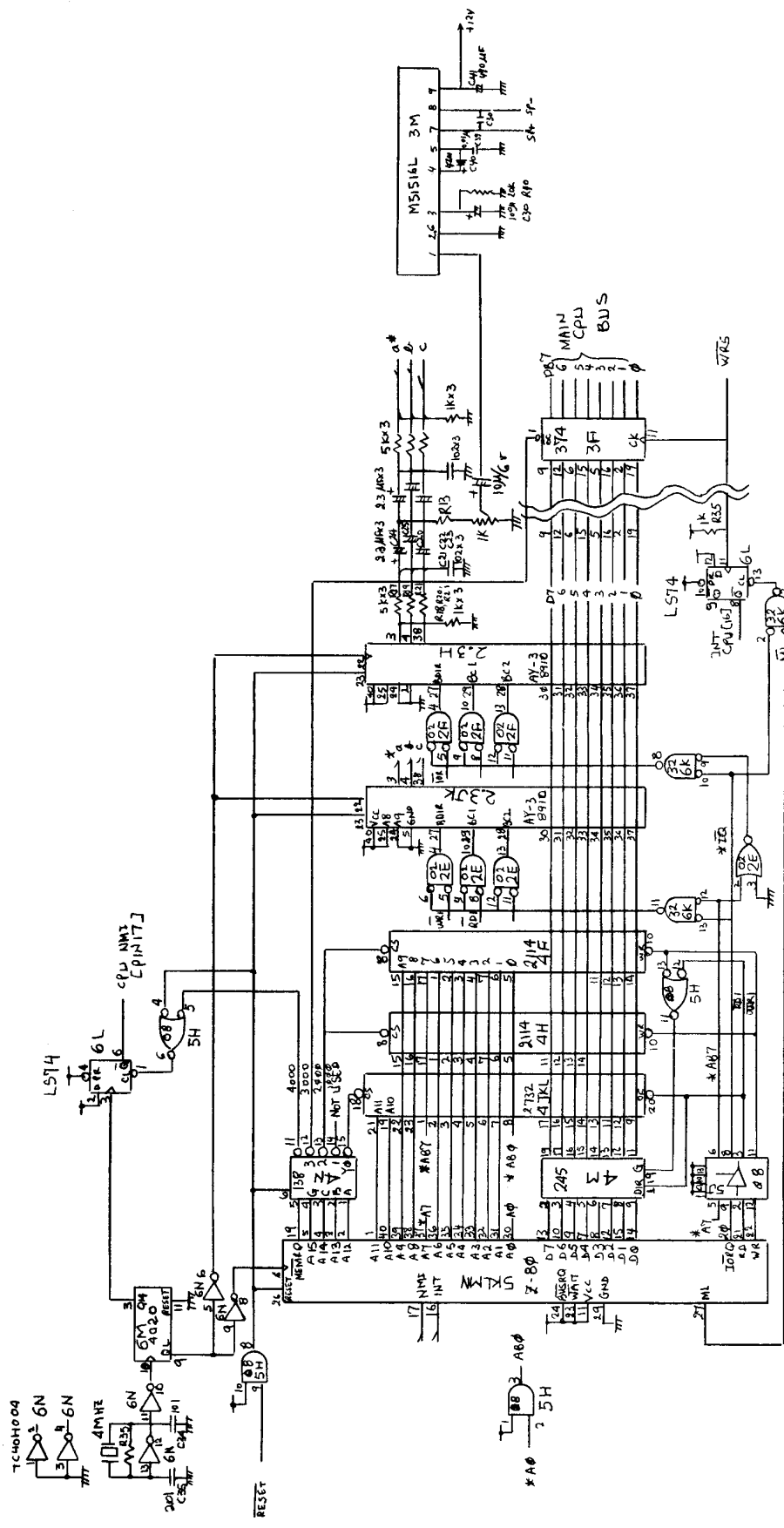


REV.	ECN NO.	REVISION	BY	ANGLES	SHT. MET. DENOS ±	DATE	SCALE	PART NO.	REV.

TOLERANCES		DIMENSIONS SPECIFIED	
FRACTIONS	± 1/32	DECIMALS	± 0.015
HOLE DIA.	± 0.005	HOLE POS.	± 0.005
HOLE DRILL	± 0.001	HOLE TAP	± 0.001
ANGLES	± 1/2°		
SHT. MET. DENOS ±	± 1/2°		

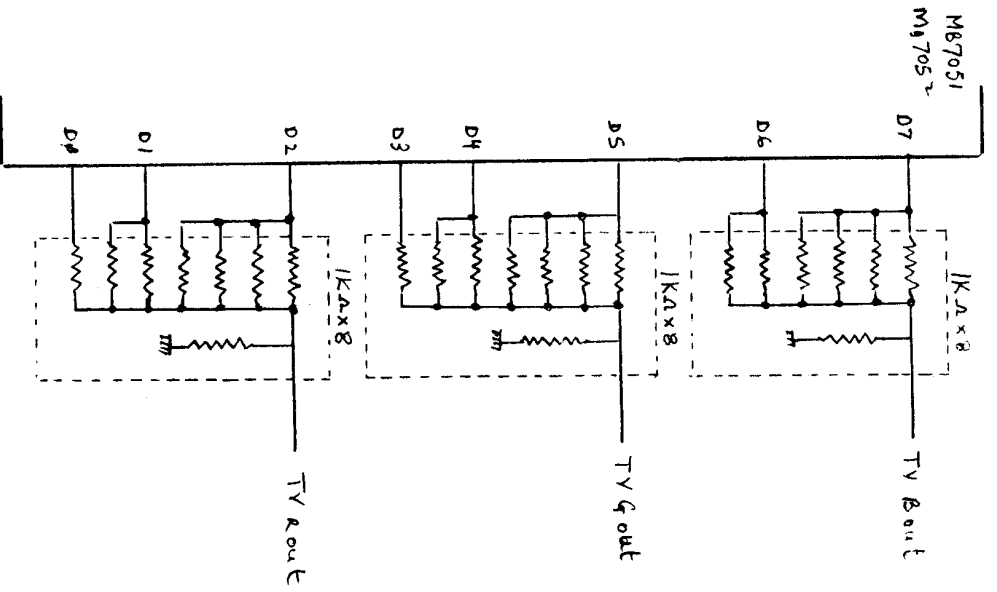
DC. APVD	PROD. APVD	QTY.	ASSEMBLY NO.
NAME		FINISH	
VRAM		B 102-401	
MATERIAL		PART NO.	
905-4894		905-4894	
DATE	SCALE	PART NO.	REV.
8/11/81			

PAGE 7



PAGE 8

QC. APVD	PROD. APVD	QTY.	ASSEMBLY NO.
centuri HIALEAH, FLORIDA 33014			
NAME <i>swimmer</i> SOUND GUZZLER B 102-403			
MATL S.	HEAT TREAT.	FINISH	
DOWN	DATE	PART NO.	REV.
MANUFACTURE	8/18/82	SCALE	905-4906
APPD.	SCALE	HEAT TREAT.	REV.
BY	REVISION	BY	REVISION
ECN NO.	NO.	ECN NO.	NO.
REV. LET.	NO.	REV. LET.	NO.



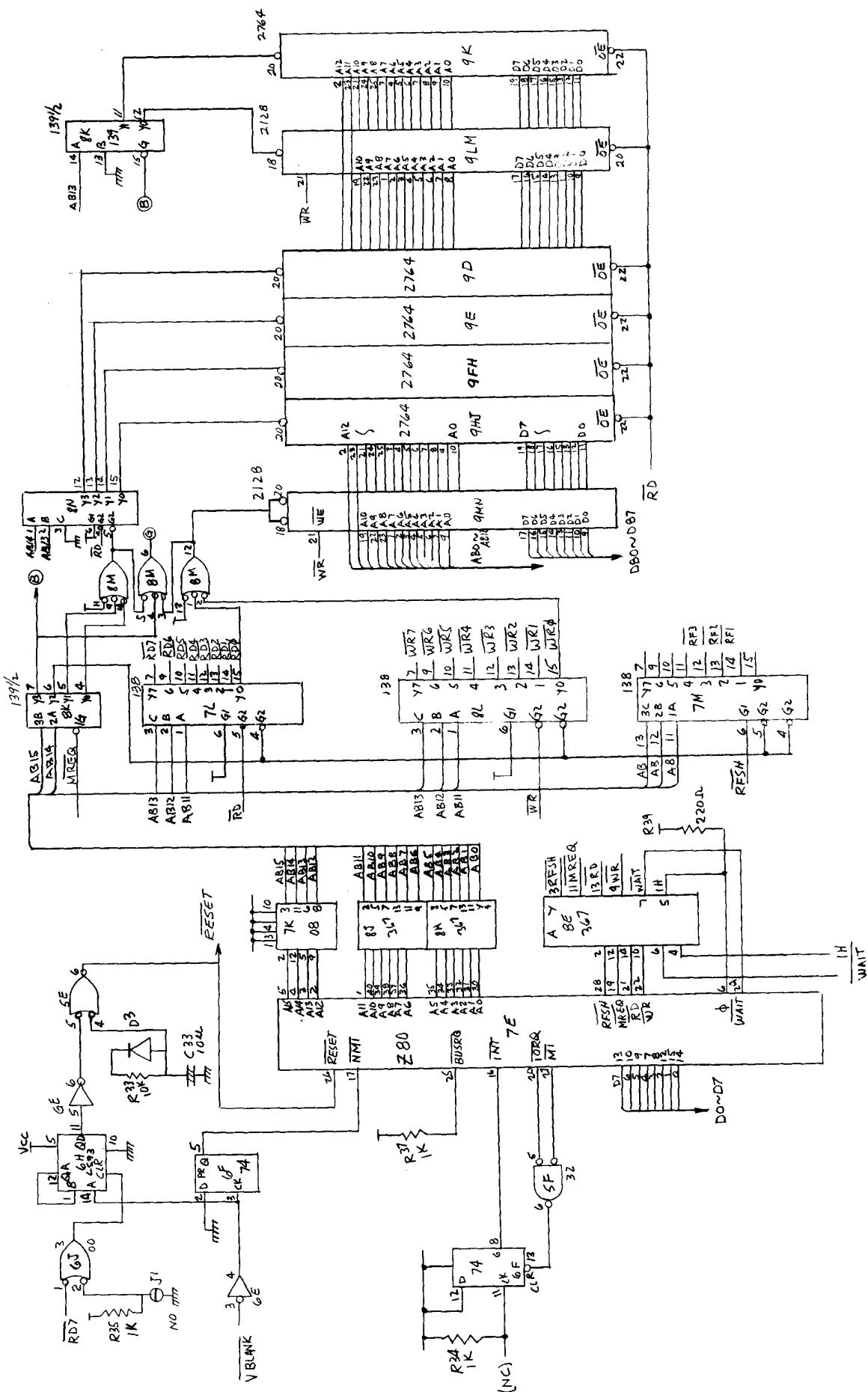
REV. LET.	ECN NO.	REVISION	BY

TOLERANCES	
Unless Otherwise Specified	
FRACTIONS	± 1/32
DECIMALS 2 PL	± .015
DECIMALS 3 PL	± .005
HOLES	+ .003
ANGLES	- .001
SHT. MET BENDS	± 1/2°

century
 NAME: BTG V RAM
 MAT'L.S.:
 SWI MM 6.1
 HIALEAH, FLORIDA 33014
 DATE: 8/19/82
 SCALE: PART NO.:
 FINISH:

OC. APV'D	PROD. APV'D	QTY.	ASSEMBLY NO.

PAGE 9



PAGE 10

QC. REV'D	PROD. REV'D	QTY.	ASSEMBLY NO.

centum HIALEAH, FLORIDA 33014	
NAME	Guzzler B 102-403
MAT'L S.	HEAT TREAT
FINISH	
DATE	4-6-83
APP'D.	SCALE
BY	REV. PART NO.
REV. LET.	905-4906

TOLERANCES		Unless Otherwise Specified	
FRACTIONS	± 1/32		
DECIMALS 2 PL	± .015		
DECIMALS 3 PL	± .003		
HOLE S.	± .001		
ANGLES	± 1/2°		
SHT. MET. BENDS	± 2°		

GUZZLER PARTS LIST

P.C.B. ASS'Y PART NO. 003-4545

1. Integrated Circuits

<u>DESCRIPTION</u>	<u>PART NO.</u>	<u>Q'TY</u>
74LS00	501-0102	4
74LS02	501-0105	4
74LS04	501-0108	5
74LS08	501-0153	8
74LS10	501-0112	1
74LS11	501-0165	2
74LS21	501-0196	1
7425	501-0115	2
74LS27	501-0259	2
74LS32	501-0156	6
74LS74	501-0121	9
74LS86	501-0125	10
74LS93	501-0127	1
74LS107	501-0129	1
74LS126	501-0402	1
74LS138	501-0200	5
74LS139	501-0170	4
74LS157	501-0141	17
74LS161	501-0137	6
74LS163	501-0184	2
74LS174	501-0135	5
74LS175	501-0158	3
74LS194	501-0186	12
74LS245	501-0202	5
74LS259	501-0190	1
74LS273	501-0205	4
74LS283	501-0207	2
74LS367	501-0176	5
74LS368	501-0211	6
74LS374	501-0204	2
Z80A	501-0093	2
2114	501-0077	8
2125	501-0067	7
2732	500-0008	7
2764	500-0023	5
82S123	500-0010	1
82S129	500-0011	2
AY-3-8910	501-0237	2
M51516L	501-0249	1
M58725	501-0074	2
MSM4020	501-0351	1
TC40H004	501-0401	1

2. Capacitors, Ceramic

0.1 Mfd.16V	515-0712	100
100 Pfd	515-0710	2
220 Pfd.	515-0803	1
0.001 Mfd	515-0712	6

3. Capacitors, Electrolytic

<u>DESCRIPTION</u>	<u>PART NO.</u>	<u>Q'TY</u>
2.2 Mfd 50V	516-0907	6
4.7 " 25V	516-0906	1
10 " 16V	516-0859	1
47 " "	516-0816	1
100 " "	516-0819	1
470 " "	516-0905	1
1000" "	516-0813	2

4. Capacitors, Mylar

0.01 Mfd 50V	517-0768	1
0.15 " "	517-0790	1

5. Resistors

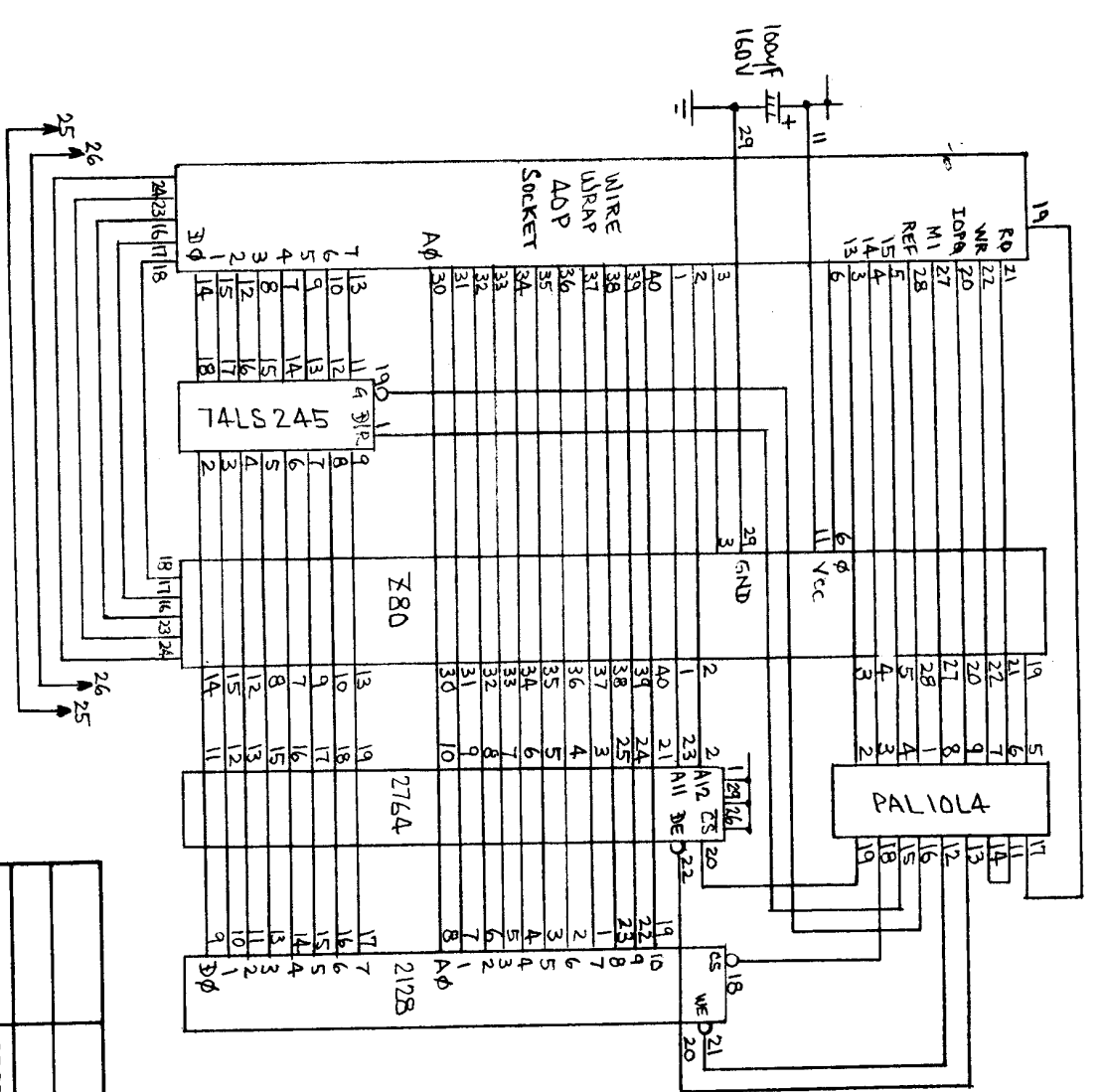
100 Ohm 1/4W	503-0411	1
220 " "	503-0433	22
330 " "	503-0425	1
470 " "	503-0407	3
1K " "	503-0413	12
4.7K " "	503-0405	6
10K " "	503-0417	1
20K " "	503-0440	1
1M " "	503-0423	1

6. Miscellaneous

Crystal		
18.432 Mhz	507-0554	1
Crystal		
4.000 Mhz	507-0566	1
Dip Sw. 4P	506-1002	1
Dip Sw 8P	506-1000	1
Diode 1N4001	510-0601	2
Diode 1N914	510-0603	1
L.E.D.	510-0602	2
1K Trim Pot	512-0655	1
1K Ohm Dip 9P	504-1024	10
5.6K Ohm Dip	504-1035	1
16P IC Socket	514-1576	3
24P IC "	514-1571	7
28P IC "	514-1572	5

REV. LET.	ECN NO.	REVISION	BY	TOLERANCES Unless Otherwise Specified FRACTIONS ± 1/32 DECIMALS 2 PL ± .015 DECIMALS 3 PL ± .005 HOLES + .003 ANGLES - .001 SHT. MET BENDS ± 1/2°	
				NAME GUTTLER SUB-BOARD MAT'L S. HEAT TREAT: FINISH HIALEAH, FLORIDA 33014	
				DWN App'd DATE 3-30-83 SCALE PART NO. REV.	App'd DATE SCALE PART NO. REV.

OC. APV'D	PROD. APV'D	QTY.	ASSEMBLY NO.



PARTS LIST

GUZZLER KIT W/MODIFIED P.C.B.

1. Integrated Circuit

<u>Description</u>	<u>Part No.</u>	<u>Q'ty</u>
74LS00	501-0102	4
74LS02	501-0105	4
74LS04	501-0108	5
74LS08	501-0153	9
74LS10	501-0112	1
74LS11	501-0165	1
74LS21	501-0196	1
7425	501-0115	2
74LS27	501-0259	2
74LS32	501-0156	6
74LS74	501-0121	10
74LS86	501-0125	10
74LS93	501-0127	1
74LS107	501-0129	1
74LS126	501-0402	1
74LS138	501-0200	5
74LS139	501-0170	4
74LS157	501-0141	17
74LS161	501-0137	6
74LS163	501-0184	2
74LS174	501-0135	5
74LS175	501-0158	3
74LS194	501-0186	12
74LS245	501-0202	6
74LS259	501-0190	1
74LS273	501-0205	4
74LS283	501-0207	2
74LS367	501-0176	5
74LS368	501-0211	6
74LS374	501-0204	2
Z80A	501-0093	2
2114	501-0077	8
2125	501-0067	7
2128 OKIJ	501-0074	2
2732	500-0008	15
2764	500-0023	1
82S123	500-0010	1
82S129	500-0011	2
AY-3-8910	501-0237	2
M51516L	501-0249	1
MSM4020	501-0351	1
PAL10L8	500-0024	1
TC40H004	501-0401	1

2. Resistors

<u>Description</u>	<u>Part No.</u>	<u>Q'ty</u>
100 Ohm 1/4W	503-0411	1
220 " "	503-0433	22
330 " "	503-0425	2
470 " "	503-0407	2
1K " "	503-0413	14
4.7K " "	503-0405	6
10K " "	503-0417	1
20K " "	503-0440	1
1M " "	503-0423	1
1K Ohm 9P Dip	504-1024	13
5.6K Ohm 9P Dip	504-1035	1
390 Ohm 1/4W	503-0561	1
1K Ohm Pot.	512-0655	1

3. Capacitors

<u>Description</u>	<u>Part No.</u>	<u>Q'ty</u>
0.1 Mfd Ceramic	515-0712	101
0.1 " "	515-0700	6
200 Pfd "	515-0803	1
1000 Pfd "	515-0712	6
0.01 Mfd Mylar	517-0768	1
0.15 " "	517-0790	1
2.2 Mfd E.E.	516-0907	6
4.7 " "	516-0906	1
10 " "	516-0859	1
47 " "	516-0816	1
100 " "	516-0819	1
470 " "	516-0905	1
100 " "	516-0873	1
1000 " "	516-0813	2

4. Diodes

<u>Description</u>	<u>Part No.</u>	<u>Q'ty</u>
1N4001	510-0601	2
1N914	510-0603	1

5. Miscellaneous

<u>Description</u>	<u>Part No.</u>	<u>Q'ty</u>
Crystal		
18.432 Mhz	507-0554	1
Crystal		
4.000 Mhz	507-0566	1
Dip Sw 4P	506-1002	1
Dip Sw 8P	506-1000	1
L.E.D.	510-0602	2